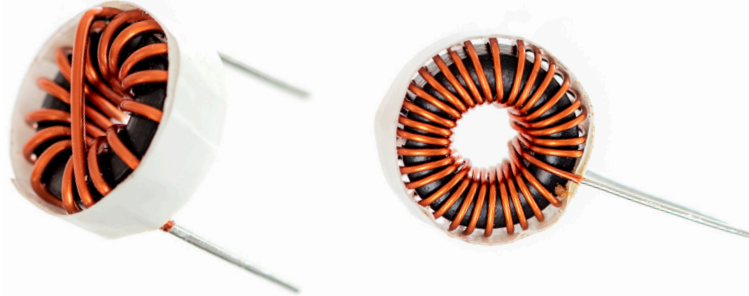


RL-11541

STANDARD "TOROIDAL" INDUCTOR



FEATURES & APPLICATIONS

- 32 standard values from which to choose
- Inductances range from 1.0µH to 1000µH
- Self shielded design
- Low core loss material
- No audible noise (zero magnetostriction core)

MECHANICAL DATA

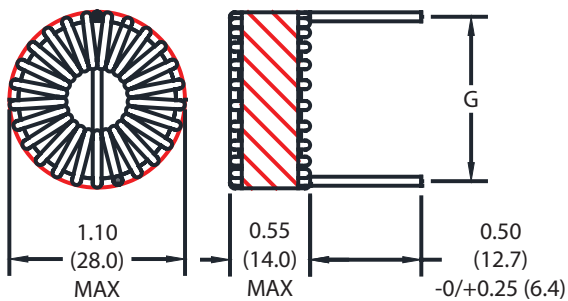
Part weight: 23g (0.81oz)

ENVIRONMENTAL DATA

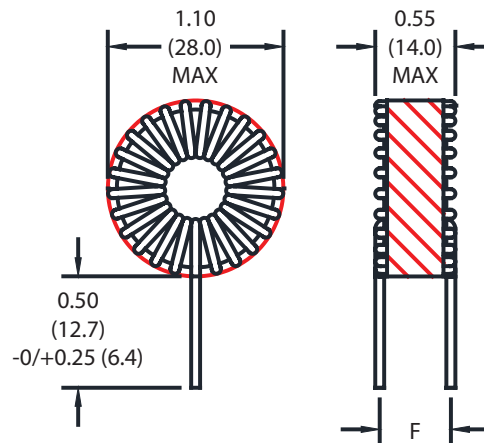
Storage temperature: -55°C to +125°C
 Operating temperature: -55°C to +125°C
 (Can be modified to > 155°C operation)

Verify operation with sample in actual circuit. Order samples at www.rencousa.com

HORIZONTAL MOUNT



VERTICAL MOUNT



NOTES:

1. *WHERE M INDICATES AN INDUCTANCE TOLERANCE OF ±20%
2. *WHERE L INDICATES AN INDUCTANCE TOLERANCE OF ±15%
3. REPLACE SUFFIX -X TO SPECIFY MOUNTING ORIENTATION;
 -V FOR VERTICAL MOUNT OR -H FOR HORIZONTAL MOUNT

Part Number RL-11541	Inductance (µH) * (M ±20%, L ±15%)	Idc (A)	Inductance with Idc BIAS (±20%)	DCR (Ohms) (Max.)	Typical -V Lead Pitch (in.)	Typical -H Lead Pitch (in.)	Typical Lead Diameter (in.)
-1R0M-X	1.0	26.1	0.8	0.002	0.47	1.05	0.053
-1R8M-X	1.8	22.6	1.4	0.002	0.47	1.05	0.053
-2R7M-X	2.7	20.3	1.9	0.003	0.47	1.05	0.053
-3R9M-X	3.9	18.5	2.7	0.004	0.47	1.05	0.053
-4R7M-X	4.7	17.1	3.1	0.004	0.47	1.05	0.053
-6R8M-X	6.8	16.0	4.4	0.005	0.47	1.05	0.053
-8R2M-X	8.2	15.1	5.1	0.005	0.47	1.05	0.053
-100L-X	10	14.3	6.0	0.006	0.47	1.05	0.053
-120L-X	12	14.2	6.9	0.006	0.47	1.05	0.053
-150L-X	15	13.6	8.3	0.007	0.47	1.05	0.053
-180L-X	18	13.1	9.7	0.007	0.47	1.05	0.053
-220L-X	22	12.6	11.5	0.008	0.47	1.05	0.053
-270L-X	27	11.8	13.5	0.009	0.47	1.05	0.053
-330L-X	33	11.1	15.7	0.010	0.47	1.05	0.053
-390L-X	39	10.8	18.1	0.011	0.47	1.05	0.053
-470L-X	47	10.3	20.9	0.012	0.47	1.05	0.053
-560L-X	56	9.8	23.9	0.013	0.47	1.05	0.053
-680L-X	68	7.6	33.9	0.022	0.45	1.03	0.042
-820L-X	82	7.1	39.0	0.024	0.45	1.03	0.042
-101L-X	100	6.8	45.6	0.027	0.45	1.03	0.042
-121L-X	120	5.1	63.4	0.047	0.43	1.01	0.034
-151L-X	150	4.9	76.0	0.052	0.43	1.01	0.034
-181L-X	180	4.7	88.5	0.057	0.43	1.01	0.034
-221L-X	220	4.4	103.1	0.063	0.43	1.01	0.034
-271L-X	270	4.2	121.1	0.070	0.43	1.01	0.034
-331L-X	330	4.0	141.9	0.077	0.43	1.01	0.034
-391L-X	390	3.8	161.2	0.084	0.43	1.01	0.034
-471L-X	470	3.7	185.7	0.092	0.43	1.01	0.034
-561L-X	560	3.5	212.0	0.101	0.43	1.01	0.034
-681L-X	680	2.7	307.6	0.176	0.47	0.99	0.027
-821L-X	820	2.5	355.5	0.194	0.47	0.99	0.027
-102L-X	1000	2.4	412.5	0.216	0.47	0.99	0.027



RENCO ELECTRONICS INC.

595 International Place, Rockledge, FL 32955-4200 USA • www.rencousa.com • ISO 9001 Certified
 engineering@rencousa.com • P: 321.637.1000 • F: 321.637.1600

