

RL-9750-2VM

THRU-HOLE AC LINE FILTER

DESCRIPTION

- Thru-Hole AC Line Filter

ENVIRONMENTAL DATA

- Storage temperature range: -55°C to +130°C
- Operating temperature range: -40°C to +130°C

PACKAGING INFORMATION

- Packaging information: pg. 495

FEATURES & APPLICATIONS

- High impedance at applicable frequency
- High self-resonant frequency
- Provides excellent noise suppression for high frequency ranges
- Dielectric withstanding voltage rated at 2500 VAC line to line
- Low cost

Verify operation with sample in actual circuit. Order samples at www.rencousa.com.

MECHANICAL DIMENSIONS

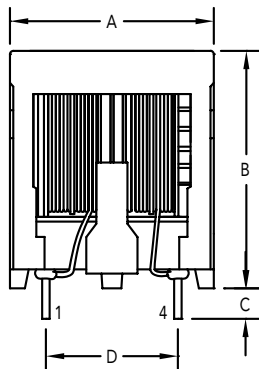
U.S. Standard (mm)

| PART NUMBER | A (MAX.) | B (MAX.) | C (TYP.) | D ±0.02 (0.50) | E ±0.02 (0.50) | F (MAX.) |
|-------------|--------------|--------------|-------------|----------------|----------------|--------------|
| RL-9750-2VM | 1.02 (26.00) | 1.17 (29.80) | 0.20 (5.00) | 0.51 (13.00) | 0.39 (10.00) | 0.74 (19.00) |

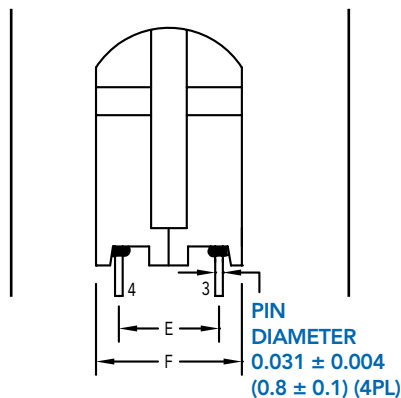
| PART NUMBER | PART WEIGHT |
|-------------|----------------|
| RL-9750-2VM | 20.0g (0.70oz) |

| G ±0.002 (0.05) | H ±0.002 (0.05) |
|-----------------|-----------------|
| 0.51 (13.00) | 0.39 (10.00) |

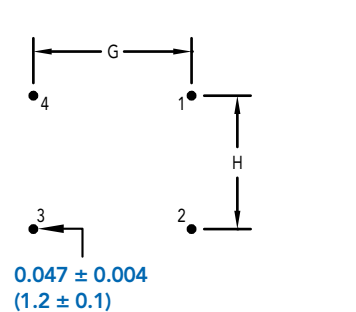
FRONT VIEW



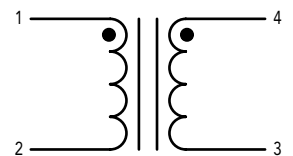
SIDE VIEW



RECOMMENDED LAND PATTERN



SCHEMATIC



RENCO ELECTRONICS INC.

595 International Place, Rockledge, FL 32955-4200 USA • www.rencousa.com • ISO 9001 Certified
Toll Free Engineering Hot Line: 800.645.5828 • P: 321.637.1000 • F: 321.637.1600



RL-9750-2VM

| Renco Part No. RL-9750-2VM | Inductance (mH) Min. | DCR (Ohms) ± 20% | Irms (A) Max. |
|-------------------------------|-------------------------|---------------------|------------------|
| RL-9750-2VM-1.2 | 1.2 | 0.043 | 3.0 |
| RL-9750-2VM-2.2 | 2.2 | 0.084 | 2.2 |
| RL-9750-2VM-2.7 | 2.7 | 0.110 | 2.0 |
| RL-9750-2VM-3.9 | 3.9 | 0.133 | 1.8 |
| RL-9750-2VM-5.6 | 5.6 | 0.191 | 1.4 |
| RL-9750-2VM-6.8 | 6.8 | 0.253 | 1.2 |
| RL-9750-2VM-8.2 | 8.2 | 0.274 | 1.1 |
| RL-9750-2VM-10.0 | 10.0 | 0.384 | 1.0 |
| RL-9750-2VM-18.0 | 18.0 | 0.655 | 0.8 |
| RL-9750-2VM-39.0 | 39.0 | 1.332 | 0.5 |
| RL-9750-2VM-56.0 | 56.0 | 1.795 | 0.4 |

NOTES:

1. ELECTRICAL SPECIFICATIONS MEASURED AT 25°C
2. Irms - CURRENT THAT CAUSES THE TEMPERATURE TO RISE APPROX. 40°C ABOVE AMBIENT OF 25°C
3. INDUCTANCE TESTED AT 10 kHz, 0.1 Vrms

