

RL-7485-2

LOW DCR/LOW PROFILE SMD INDUCTORS

DESCRIPTION

- Low Profile SMD Power Inductor

ENVIRONMENTAL DATA

- Storage temperature range: -55°C to +130°C
- Operating temperature range: -40°C to +130°C

PACKAGING INFORMATION

- Packaging information: pg. 505

FEATURES & APPLICATIONS

- Magnetically shielded
- High inductance / high current inductor
- Ideal for use in a variety of DC-DC converter inductor applications

Verify operation with sample in actual circuit. Order samples at www.rencousa.com.

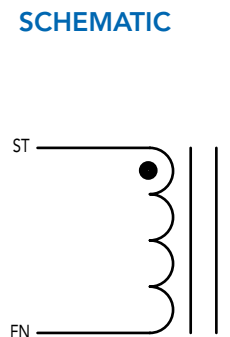
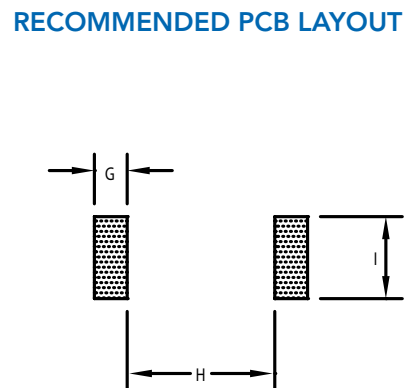
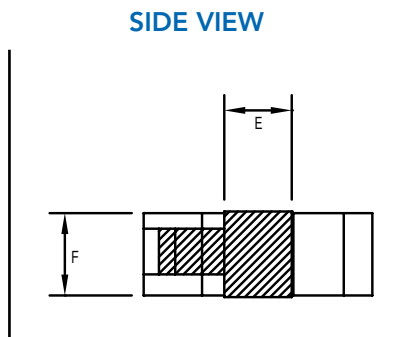
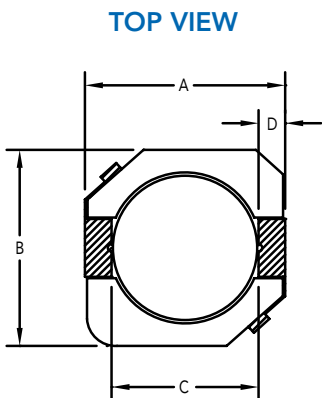
MECHANICAL DIMENSIONS

U.S. Standard (mm)

PART NUMBER	A (MAX.)	B (MAX.)	C	D (MAX.)	E	F (MAX.)
RL-7485-2	0.405 (10.30)	0.417 (10.6)	0.287 (7.30)	0.067 (1.70)	0.120 (3.00)	0.160 (4.00)

PART NUMBER	PART WEIGHT
RL-7485-2	2.0g (0.07oz)

G (REF.)	H (REF.)	I (REF.)
0.071 (1.80)	0.287 (7.30)	0.126 (3.20)



RL-7485-2

Renco Part No. RL-7485-2	Inductance (μ H)	DCR Max. (Ohms)	Isat (A)	Irms (A)
RL-7485-2-1R5Y	1.50 \pm 30%	0.0081	10.00	6.80
RL-7485-2-2R5Y	2.50 \pm 30%	0.010	7.50	6.10
RL-7485-2-3R8Y	3.80 \pm 30%	0.013	6.00	5.20
RL-7485-2-5R2Y	5.20 \pm 30%	0.022	5.50	4.60
RL-7485-2-7R0Y	7.00 \pm 30%	0.027	4.80	4.30
RL-7485-2-100Y	10.0 \pm 30%	0.035	4.40	3.80
RL-7485-2-150Y	15.0 \pm 30%	0.050	3.60	3.20
RL-7485-2-220Y	22.0 \pm 30%	0.073	2.90	2.50
RL-7485-2-330Y	33.0 \pm 30%	0.093	2.30	2.10
RL-7485-2-470Y	47.0 \pm 30%	0.128	2.10	1.80
RL-7485-2-680Y	68.0 \pm 30%	0.213	1.50	1.50
RL-7485-2-820Y	82.00 \pm 30%	0.283	1.45	1.24
RL-7485-2-101Y	100.0 \pm 30%	0.304	1.35	1.20
RL-7485-2-151Y	150.0 \pm 30%	0.506	1.15	1.00
RL-7485-2-221Y	220.0 \pm 30%	0.756	0.92	0.80
RL-7485-2-331Y	330.0 \pm 30%	1.090	0.70	0.70

NOTES:

1. Isat - DC CURRENT THAT WILL CAUSE INDUCTANCE TO DROP BY 30%
2. Irms - CURRENT THAT CAUSES THE TEMPERATURE TO RISE APPROX. 40°C ABOVE AMBIENT OF 25°C
3. ELECTRICAL SPECIFICATIONS MEASURED AT 25°C
4. INDUCTANCE TESTED AT 100 kHz, 1.0 Vrms



RENCO ELECTRONICS INC.

595 International Place, Rockledge, FL 32955-4200 USA • www.rencousa.com • ISO 9001 Certified
Toll Free Engineering Hot Line: 800.645.5828 • P: 321.637.1000 • F: 321.637.1600

