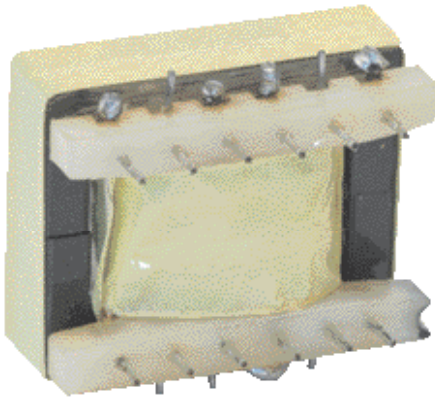


RL-5534

FLYBACK TRANSFORMER FOR TEXAS INSTRUMENTS

(FORMALLY NATIONAL SEMICONDUCTOR)



DESCRIPTION

- Flyback Transformer
- LM-258X-T3

ENVIRONMENTAL DATA

- Storage temperature range:
-55°C to +130°C
- Operating temperature range:
-40°C to +130°C

PACKAGING INFORMATION

- Packaging information: pg. 510

FEATURES & APPLICATIONS

- Compact through-hole transformer
- Flyback topology power supplies

Verify operation with sample in actual circuit. Order samples at www.rencousa.com.

MECHANICAL DIMENSIONS

U.S. Standard (mm)

PART NUMBER	A (MAX.)	B	C (MAX.)	D (MIN.)	E (TYP.)	F	G (MAX.)
RL-5534	1.29 (32.77)	0.80 (20.32)	1.48 (37.59)	0.18 (4.57)	0.15 (3.81)	0.20 (5.08)	0.95 (24.13)

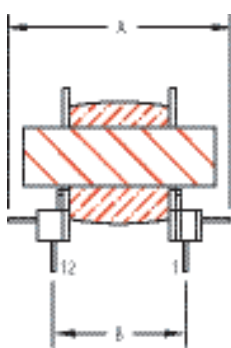
PART NUMBER PART WEIGHT

RL-5534	48.0g (1.7oz)
---------	---------------

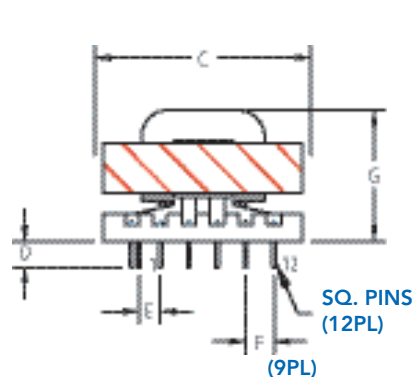
TEST MEASUREMENTS:

1. L (1-6) = 85 μ H \pm 10% AT 0.1 VRMS 10 kHz
2. RDC (1-6) = 0.0341 Ω \pm 15%
3. HIPOT: 600 VRMS BETWEEN WINDINGS 1-6 AND ALL OTHER WINDINGS

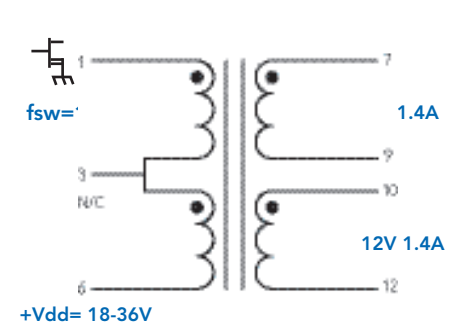
FRONT VIEW



SIDE VIEW



SCHEMATIC



RENCO ELECTRONICS INC.

595 International Place, Rockledge, FL 32955-4200 USA • www.rencousa.com • ISO 9001 Certified
Toll Free Engineering Hot Line: 800.645.5828 • P: 321.637.1000 • F: 321.637.1600

