

RL-5470

RL-5471, RL-5472, RL-5473

POWER INDUCTORS FOR TEXAS INSTRUMENTS

(FORMALLY NATIONAL SEMICONDUCTOR)



DESCRIPTION

- Power Inductors

ENVIRONMENTAL DATA

- Storage temperature range: -55°C to +130°C
- Operating temperature range: -40°C to +130°C

PACKAGING INFORMATION

- Packaging information: pg. 510

FEATURES & APPLICATIONS

- Inductances from 21μH to 400 μH with saturation currents available from 0.7 A to 5.0 A
- High-saturation material makes coils ideal for use in switching regulated power supply applications
- Size of through-hole coils allows easy installation in equipment
- Use of ferrite cores allows for low core loss operations
- Typical applications include: switching regulators, boost, buck and buck boost
- For simple switcher applications LM258X and LM259X

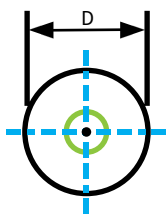
Verify operation with sample in actual circuit. Order samples at www.rencousa.com.

MECHANICAL DIMENSIONS

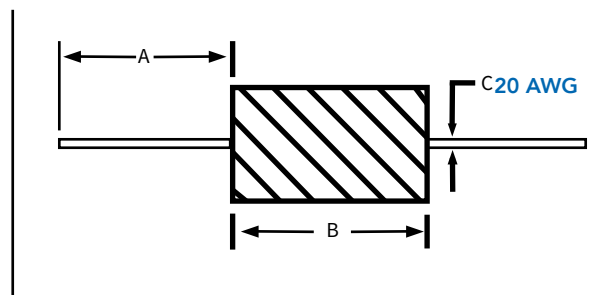
U.S. Standard (mm)

PART NUMBER	A (MIN.)	B (MAX.)	C	D (MAX.)	PART NUMBER	PART WEIGHT
RL-5470	1.000 (25.40)	0.700 (17.78)	0.032 (0.81)	0.260 (6.60)	RL-5470	1.0g (0.03oz)
RL-5471	1.000 (25.40)	0.900 (22.86)	0.032 (0.81)	0.453 (11.51)	RL-5471	9.0g (0.30oz)
RL-5472	1.000 (25.40)	0.990 (25.15)	0.032 (0.81)	0.570 (14.48)	RL-5472	13.0g (0.44oz)

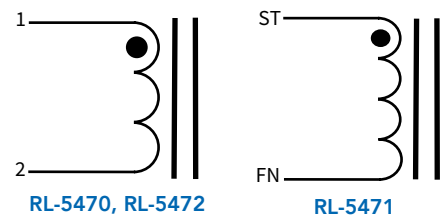
FRONT VIEW



SIDE VIEW



SCHEMATIC



RENCO ELECTRONICS INC.

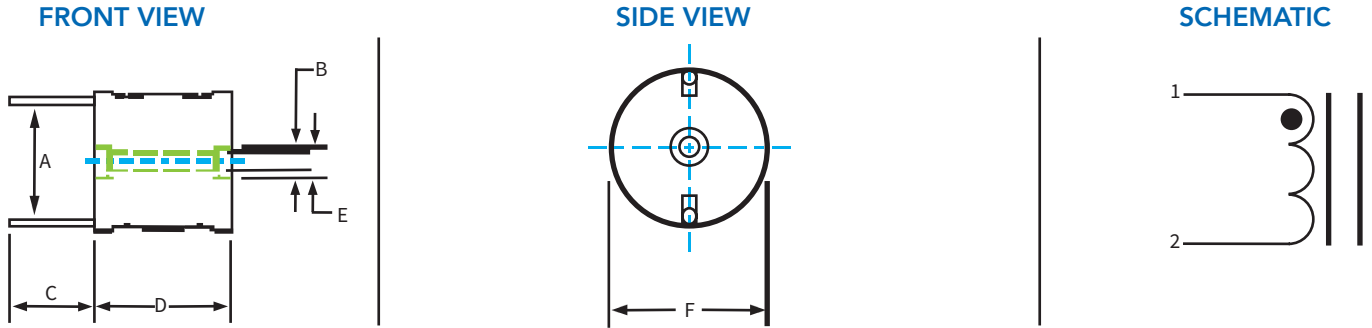
595 International Place, Rockledge, FL 32955-4200 USA • www.rencousa.com • ISO 9001 Certified
Toll Free Engineering Hot Line: 800.645.5828 • P: 321.637.1000 • F: 321.637.1600



RL-5470, RL-5471, RL-5472, RL-5473

U.S. Standard (mm)

PART NUMBER	A	B (4/40 screw)	C	D (MAX.)	E	F (MAX.)
RL-5473-1	0.562 (14.27)	0.100 (2.54)	0.500 (12.70)	0.840 (21.34)	0.195 (4.95)	0.825 (20.96)
RL-5473-2	0.593 (15.06)	0.100 (2.54)	0.500 (12.70)	0.840 (21.34)	0.195 (4.95)	0.825 (20.96)
RL-5473-3	0.656 (16.66)	0.100 (2.54)	0.500 (12.70)	0.840 (21.34)	0.195 (4.95)	0.825 (20.96)



NSC REF. NUMBER	L _{nom} NSC REF. IND.(μH)	RENCO PART NUMBER	CIRCUIT ENERGY RATING (μJ)	INDUCTOR CURRENT RATING IDC/RMS A	DCR MAX. (Ohms) @ 20° C	OPEN CIRCUIT INDUCTANCE (L _{oc}) ± 10% μH	I _{sat} (A) MIN
L1	220.0	RL-5470-3	3.0	0.240	0.603	275.0	1.54
L2	150.0	RL-5470-4	3.0	0.298	0.396	186.0	1.68
L3	100.0	RL-5470-5	3.0	0.370	0.299	122.0	1.80
L4	68.0	RL-1284-68-43	3.0	0.804	0.145	68.0	1.05
L5	47.0	RL-1284-47-43	3.0	0.804	0.109	47.0	1.25
L6	33.0	RL-1284-33-43	3.0	1.008	0.075	33.0	1.54
L7	22.0	RL-1284-22-43	3.0	1.280	0.050	22.0	1.89
L8	330.0	RL-5470-2	10.0	0.194	0.765	409.0	0.44
L9	220.0	RL-5470-3	10.0	0.240	0.603	275.0	0.54
L10	150.0	RL-5470-4	10.0	0.298	0.394	186.0	0.68
L11	100.0	RL-5470-5	10.0	0.370	0.299	122.0	0.80
L12	68.0	RL-5470-6	10.0	0.458	0.168	82.0	0.90
L13	47.0	RL-5470-7	10.0	0.565	0.133	57.0	1.00
L14	33.0	RL-1284-33-43	10.0	1.008	0.075	22.0	1.89
L15	22.0	RL-1284-22-43	10.0	1.280	0.050	22.0	1.89
L16	15.0	RL-1284-15-43	10.0	1.280	0.040	15.0	2.31
L17	330.0	RL-5471-1	30.0	0.650	0.247	390.0	0.96
L18	220.0	RL-5471-2	30.0	0.810	0.195	277.0	1.10
L19	150.0	RL-5471-3	30.0	1.000	0.150	187.0	1.20
L20	100.0	RL-5471-4	30.0	1.240	0.115	120.0	1.60

RL-5471 TABLE CONTINUES ON FOLLOWING PAGE



RENCO ELECTRONICS INC.

595 International Place, Rockledge, FL 32955-4200 USA • www.rencousa.com • ISO 9001 Certified
Toll Free Engineering Hot Line: 800.645.5828 • P: 321.637.1000 • F: 321.637.1600



RL-5470, RL-5471, RL-5472, RL-5473

NSC REF. NUMBER	L _{nom} NSC REF. IND.(μH)	RENCO PART NUMBER	CIRCUIT ENERGY RATING (μJ)	INDUCTOR CURRENT RATING IDC/RMS A	DCR MAX. (Ohms) @ 20° C	OPEN CIRCUIT INDUCTANCE (L _{oc}) ± 10% μH	I _{sat} (A) MIN
L21	68.0	RL-5471-5	30.0	1.530	0.064	79.0	2.00
L22	47.0	RL-5471-6	30.0	1.870	0.045	54.0	2.50
L23	33.0	RL-5471-7	30.0	2.280	0.033	37.0	3.10
L24	22.0	RL-1283-22-43	30.0	4.000	0.026	22.0	4.25
L25	15.0	RL-1283-15-43	30.0	4.000	0.022	15.0	5.14
L26	330.0	RL-5471-1	100.0	0.65	0.247	390.0	0.96
L27	220.0	RL-5471-2	100.0	0.81	0.195	270.0	1.10
L28	150.0	RL-5471-3	100.0	1.09	0.150	187.0	1.20
L29	100.0	RL-5471-4	100.0	1.24	0.115	120.0	1.60
L30	68.0	RL-5471-5	100.0	1.53	0.064	79.0	2.00
L31	47.0	RL-5471-6	100.0	1.87	0.045	54.0	2.50
L32	33.0	RL-5471-7	100.0	2.28	0.033	37.0	3.10
L33	22.0	RL-1283-22-43	100.0	4.00	0.026	22.0	4.25
L34	15.0	RL-1283-15-43	100.0	4.00	0.022	15.0	9.00
L35	220.0	RL-5473-1	300.0	3.01	0.213	270.0	7.00
L36	150.0	RL-5473-4	300.0	4.00	0.110	180.0	7.80
L37	100.0	RL-5472-1	300.0	2.18	0.099	140.0	2.00
L38	68.0	RL-5472-2	300.0	2.67	0.053	88.0	2.50
L39	47.0	RL-5472-3	300.0	3.00	0.045	57.0	3.10
L40	33.0	RL-5472-4	300.0	3.00	0.028	37.0	3.80
L41	22.0	RL-5472-5	300.0	3.00	0.022	25.1	4.50
L42	150.0	RL-5473-4	570.0	4.00	0.110	180.0	7.80
L43	100.0	RL-5473-2	570.0	3.00	0.090	115.0	8.00
L44	68.0	RL-5473-3	405.0	3.00	0.053	79.0	12.0

NOTES:

1. ELECTRICAL SPECIFICATIONS MEASURED AT 25°C
2. I_{sat} - DC CURRENT THAT WILL CAUSE INDUCTANCE TO DROP BY 5%



RENCO ELECTRONICS INC.

595 International Place, Rockledge, FL 32955-4200 USA • www.rencousa.com • ISO 9001 Certified
Toll Free Engineering Hot Line: 800.645.5828 • P: 321.637.1000 • F: 321.637.1600