



RL-5022-S

SHIELDED SMD POWER INDUCTORS

DESCRIPTION

- Shielded Power Inductor

ENVIRONMENTAL DATA

- Storage temperature range: -55°C to +130°C
- Operating temperature range: -40°C to +130°C

PACKAGING INFORMATION

- Packaging information: pg. 489

FEATURES & APPLICATIONS

- Shielded surface mount power inductors in a small 0.600" X 0.730" package
- Exceptionally low DC resistance
- Flat top for reliable pick and place operations
- Available in 13 values with inductance ratings from 10 μ H to 1.0 mH and currents up to 3.9 A

Verify operation with sample in actual circuit. Order samples at www.rencousa.com.

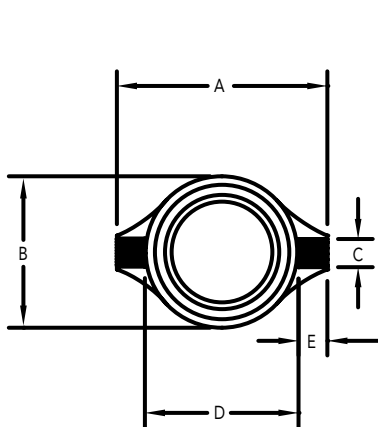
MECHANICAL DIMENSIONS

U.S. Standard (mm)

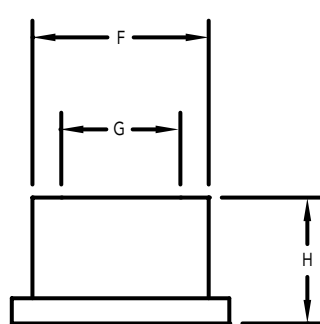
PART NUMBER	A (MAX.)	B (MAX.)	C	D	E	F
RL-5022-S	0.730 (18.54)	0.600 (15.24)	0.100 (2.54)	0.500 (12.70)	0.100 (2.54)	0.565 (14.35)

PART NUMBER	PART WEIGHT	G	H (MAX.)	I (REF.)	J (REF.)	K (REF.)
RL-5022-S	3.50g (0.12oz)	0.500 (12.70)	0.300 (7.62)	0.490 (12.45)	0.115 (2.92)	0.110 (2.79)

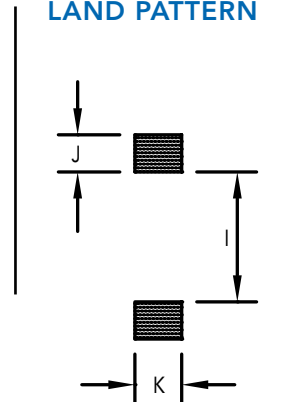
FRONT VIEW



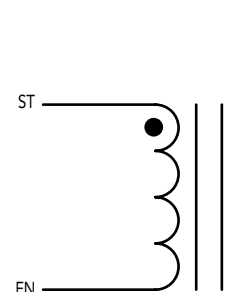
SIDE VIEW



RECOMMENDED
LAND PATTERN



SCHEMATIC



RECO ELECTRONICS INC.

595 International Place, Rockledge, FL 32955-4200 USA • www.rencousa.com • ISO 9001 Certified
Toll Free Engineering Hot Line: 800.645.5828 • P: 321.637.1000 • F: 321.637.1600



RL-5022-S

Renco Part No. RL-5022-S	Inductance (μ H)	DCR Max. (Ohms)	Isat (A)	Irms (A)	SRF Typ. (MHz)
RL-5022-S-10	10.0	0.040	8.00	3.90	30.0
RL-5022-S-15	15.0	0.048	7.00	3.40	20.0
RL-5022-S-22	22.0	0.059	6.00	3.10	18.0
RL-5022-S-33	33.0	0.075	5.00	2.80	14.0
RL-5022-S-47	47.0	0.097	4.00	2.40	10.0
RL-5022-S-68	68.0	0.138	3.00	2.00	9.0
RL-5022-S-100	100.0	0.207	2.40	1.70	7.0
RL-5022-S-150	150.0	0.293	2.10	1.30	6.0
RL-5022-S-220	220.0	0.470	1.90	1.10	5.0
RL-5022-S-330	330.0	0.780	1.10	0.86	4.0
RL-5022-S-470	470.0	1.080	1.10	0.73	3.0
RL-5022-S-680	680.0	1.400	0.96	0.64	2.5
RL-5022-S-1000	1000.0	2.010	0.80	0.53	2.0

NOTES:

1. ELECTRICAL SPECIFICATIONS MEASURED AT 25°C
2. Isat - DC CURRENT THAT WILL CAUSE INDUCTANCE TO DROP BY 5%
3. Irms - CURRENT THAT CAUSES THE TEMPERATURE TO RISE APPROX. 40°C ABOVE AMBIENT OF 25°C
4. INDUCTANCE \pm 20% TESTED AT 100 kHz, 0.1 Vrms

