



RL-4017

SHIELDED LOW PROFILE POWER INDUCTOR

DESCRIPTION

- SMD Power Inductor

ENVIRONMENTAL DATA

- Storage temperature range: -55°C to +130°C
- Operating temperature range: -40°C to +130°C

PACKAGING INFORMATION

- Packaging information: pg. 504

FEATURES & APPLICATIONS

- Low profile, great for applications when space is at a minimum
- Excellent as a power inductor used in notebook computers and other electronic equipment requiring compact and low-loss inductors
- Available in 19 values with inductance ratings from 1.0 μ H to 100 μ H and currents up to 2.70 A

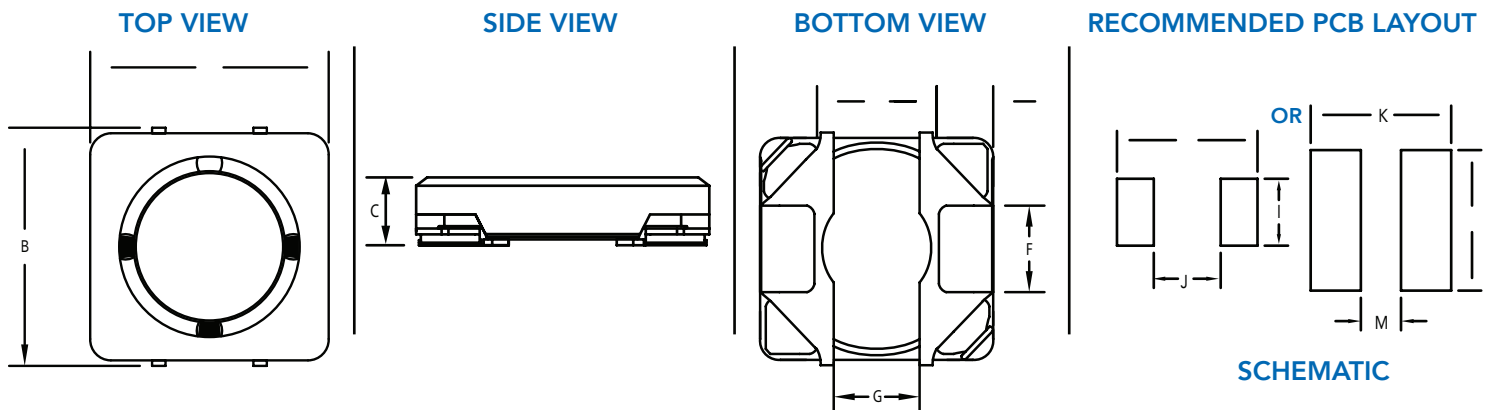
Verify operation with sample in actual circuit. Order samples at www.rencousa.com.

MECHANICAL DIMENSIONS

U.S. Standard (mm)

PART NUMBER	A (MAX.)	B (MAX.)	C (MAX.)	D (TYP.)	E (TYP.)	F (TYP.)	G (TYP.)
RL-4017	0.165 (4.20)	0.169 (4.30)	0.070 (1.80)	0.080 (2.10)	0.035 (0.90)	0.062 (1.50)	0.043 (1.10)

PART NUMBER	PART WEIGHT	H (REF.)	I (REF.)	J (REF.)	K (REF.)	L (REF.)	M (REF.)
RL-4017	0.9g (0.03oz)	0.173 (4.40)	0.078 (2.00)	0.078 (2.00)	0.165 (4.20)	0.169 (4.30)	0.040 (1.00)



RL-4017

Renco Part No. RL-4017	Inductance (μ H)	DCR Max. (Ohms)	Isat (A)	Irms (A)
RL-4017-1R0N	1.0 \pm 30%	0.041	2.70	2.40
RL-4017-1R2N	1.2 \pm 30%	0.046	2.30	2.20
RL-4017-1R5N	1.5 \pm 30%	0.051	2.10	2.00
RL-4017-1R8N	1.8 \pm 30%	0.055	2.00	1.90
RL-4017-2R2N	2.2 \pm 30%	0.059	1.90	1.85
RL-4017-2R7N	2.7 \pm 30%	0.067	1.60	1.70
RL-4017-3R3N	3.3 \pm 30%	0.074	1.40	1.60
RL-4017-3R9N	3.9 \pm 20%	0.082	1.30	1.50
RL-4017-4R7M	4.7 \pm 20%	0.099	1.20	1.35
RL-4017-5R6M	5.6 \pm 20%	0.110	1.10	1.25
RL-4017-6R8M	6.8 \pm 20%	0.130	1.00	1.20
RL-4017-8R2M	8.2 \pm 20%	0.140	0.90	1.10
RL-4017-100M	10.0 \pm 20%	0.150	0.85	1.00
RL-4017-120M	12.0 \pm 20%	0.220	0.80	0.95
RL-4017-150M	15.0 \pm 20%	0.240	0.70	0.90
RL-4017-180M	18.0 \pm 20%	0.260	0.65	0.85
RL-4017-220M	22.0 \pm 20%	0.370	0.55	0.75
RL-4017-270M	27.0 \pm 20%	0.420	0.50	0.70
RL-4017-330M	33.0 \pm 20%	0.480	0.45	0.60
RL-4017-390M	39.0 \pm 20%	0.520	0.43	0.55
RL-4017-470M	47.0 \pm 20%	0.620	0.40	0.50
RL-4017-101M	100.0 \pm 20%	1.780	0.30	0.35

NOTES:

1. Isat - DC CURRENT THAT WILL CAUSE INDUCTANCE TO DROP BY 30%
2. Irms - CURRENT THAT CAUSES THE TEMPERATURE TO RISE APPROX. 40°C ABOVE AMBIENT OF 25°C
3. ELECTRICAL SPECIFICATIONS MEASURED AT 25°C
4. RESISTANCE TO SOLDER HEAT: 260°C FOR 10 SECONDS
5. INDUCTANCE TESTED AT 100 kHz, 0.1 Vrms



RENCO ELECTRONICS INC.

595 International Place, Rockledge, FL 32955-4200 USA • www.rencousa.com • ISO 9001 Certified
Toll Free Engineering Hot Line: 800.645.5828 • P: 321.637.1000 • F: 321.637.1600

