



# RL-4014

## SHIELDED LOW PROFILE POWER INDUCTOR

### DESCRIPTION

- SMD Power Inductor

### ENVIRONMENTAL DATA

- Storage temperature range: -55°C to +130°C
- Operating temperature range: -40°C to +130°C

### PACKAGING INFORMATION

- Packaging information: pg. 504

### FEATURES & APPLICATIONS

- Low profile for applications when space is at a minimum
- Excellent as a power inductor used in notebook computers, smartphones, cell phones, step-up or step-down converters, and Flash memory
- Available in 14 values with inductance ratings from 1.0  $\mu\text{H}$  to 47.0  $\mu\text{H}$  and currents up to 2.3 A

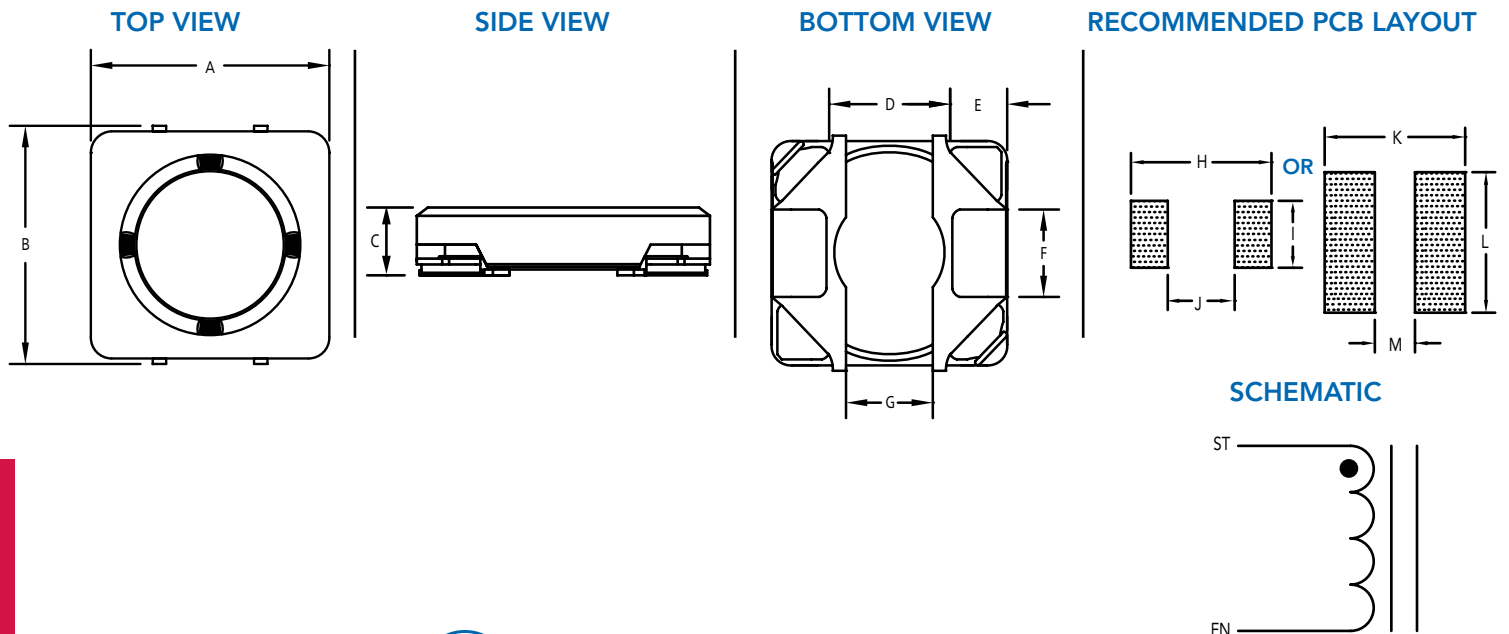
Verify operation with sample in actual circuit. Order samples at [www.rencousa.com](http://www.rencousa.com).

### MECHANICAL DIMENSIONS

U.S. Standard (mm)

PART NUMBER	A (MAX.)	B (MAX.)	C (MAX.)	D (TYP.)	E (TYP.)	F (TYP.)	G (TYP.)
RL-4014	0.165 (4.20)	0.169 (4.30)	0.059 (1.50)	0.080 (2.10)	0.035 (0.90)	0.062 (1.60)	0.034 (1.10)

PART NUMBER	PART WEIGHT	H (REF.)	I (REF.)	J (REF.)	K (REF.)	L (REF.)	M (REF.)
RL-4014	0.9g (0.03)	0.173 (4.40)	0.078 (2.00)	0.078 (2.00)	0.165 (4.20)	0.169 (4.30)	0.040 (1.00)



# RL-4014

Renco Part No. RL-4014	Inductance ( $\mu$ H)	DCR Max. (Ohms)	Isat (A)	Irms (A)
RL-4014-1R0N	1.0 $\pm$ 30%	0.043	2.30	2.30
RL-4014-1R5N	1.5 $\pm$ 30%	0.050	2.00	2.05
RL-4014-2R2N	2.2 $\pm$ 30%	0.057	1.70	1.85
RL-4014-3R3N	3.3 $\pm$ 30%	0.080	1.30	1.60
RL-4014-4R7M	4.7 $\pm$ 20%	0.099	1.10	1.25
RL-4014-5R6M	5.6 $\pm$ 20%	0.120	1.00	1.20
RL-4014-6R8M	6.8 $\pm$ 20%	0.130	1.00	1.15
RL-4014-100M	10.0 $\pm$ 20%	0.190	0.78	1.00
RL-4014-150M	15.0 $\pm$ 20%	0.280	0.63	0.88
RL-4014-220M	22.0 $\pm$ 20%	0.340	0.57	0.80
RL-4014-330M	33.0 $\pm$ 20%	0.530	0.44	0.56
RL-4014-470M	47.0 $\pm$ 20%	0.750	0.35	0.40

#### NOTES:

1. Isat - DC CURRENT THAT WILL CAUSE INDUCTANCE TO DROP BY 30%
2. Irms - CURRENT THAT CAUSES THE TEMPERATURE TO RISE APPROX. 40°C ABOVE AMBIENT OF 25°C
3. ELECTRICAL SPECIFICATIONS MEASURED AT 25°C
4. RESISTANCE TO SOLDER HEAT: 260°C FOR 10 SECONDS
5. INDUCTANCE TESTED AT 100 kHz, 0.1 Vrms



**RENCO ELECTRONICS INC.**

595 International Place, Rockledge, FL 32955-4200 USA • [www.rencousa.com](http://www.rencousa.com) • ISO 9001 Certified  
Toll Free Engineering Hot Line: 800.645.5828 • P: 321.637.1000 • F: 321.637.1600

