



RL-4013

SHIELDED LOW PROFILE POWER INDUCTOR

DESCRIPTION

- SMD Power Inductor

ENVIRONMENTAL DATA

- Storage temperature range: -55°C to +130°C
- Operating temperature range: -40°C to +130°C

PACKAGING INFORMATION

- Packaging information: pg. 504

FEATURES & APPLICATIONS

- Low profile for applications when space is at a minimum
- Excellent as a power inductor used in notebook computers, smartphones, cell phones, step-up or step-down converters, and Flash memory
- Available in 14 values with inductance ratings from 1.2 μH to 33 μH and currents up to 2 A

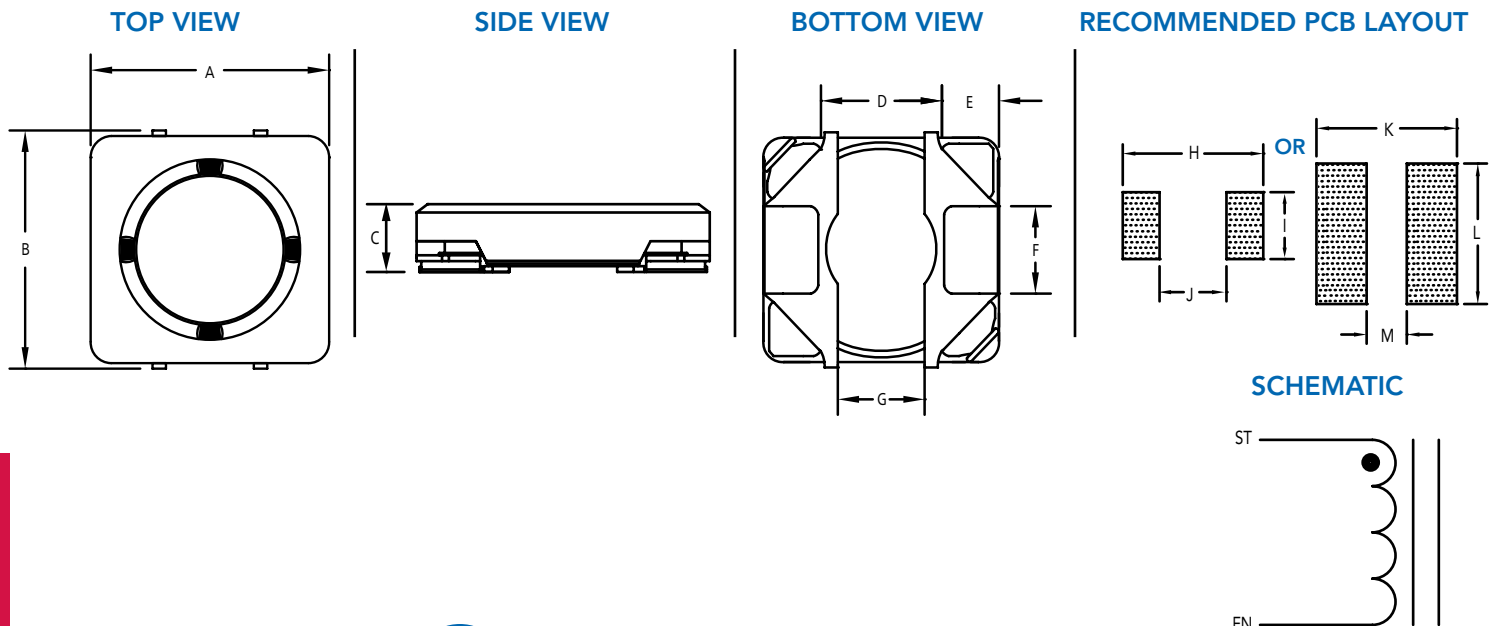
Verify operation with sample in actual circuit. Order samples at www.rencousa.com.

MECHANICAL DIMENSIONS

U.S. Standard (mm)

PART NUMBER	A (MAX.)	B (MAX.)	C (MAX.)	D (TYP.)	E (TYP.)	F (TYP.)	G (TYP.)
RL-4013	0.165 (4.20)	0.169 (4.30)	0.050 (1.20)	0.080 (2.10)	0.035 (0.90)	0.060 (1.60)	0.043 (1.10)

PART NUMBER	PART WEIGHT	H (REF.)	I (REF.)	J (REF.)	K (REF.)	L (REF.)	M (REF.)
RL-4013	0.9g (0.03)	0.173 (4.40)	0.078 (2.00)	0.078 (2.00)	0.165 (4.20)	0.169 (4.30)	0.040 (1.00)



RL-4013

Renco Part No. RL-4013	Inductance (μ H)	DCR Max. (Ohms)	Isat (A)	Irms (A)
RL-4013-1R2N	1.2 \pm 30%	0.057	2.00	2.00
RL-4013-1R5N	1.5 \pm 30%	0.067	1.70	1.80
RL-4013-2R2N	2.2 \pm 30%	0.084	1.50	1.55
RL-4013-3R3N	3.3 \pm 30%	0.100	1.30	1.25
RL-4013-4R7M	4.7 \pm 20%	0.140	1.10	1.15
RL-4013-6R8M	6.8 \pm 20%	0.170	1.00	1.05
RL-4013-8R2M	8.2 \pm 20%	0.210	0.90	1.00
RL-4013-100M	10.0 \pm 20%	0.260	0.75	0.90
RL-4013-120M	12.0 \pm 20%	0.300	0.66	0.85
RL-4013-150M	15.0 \pm 20%	0.390	0.70	0.75
RL-4013-180M	18.0 \pm 20%	0.450	0.60	0.60
RL-4013-220M	22.0 \pm 20%	0.650	0.57	0.50
RL-4013-270M	27.0 \pm 20%	0.750	0.48	0.40
RL-4013-330M	33.0 \pm 20%	0.850	0.39	0.45

NOTES:

1. Isat - DC CURRENT THAT WILL CAUSE INDUCTANCE TO DROP BY 30%
2. Irms - CURRENT THAT CAUSES THE TEMPERATURE TO RISE APPROX. 40°C ABOVE AMBIENT OF 25°C
3. ELECTRICAL SPECIFICATIONS MEASURED AT 25°C
4. RESISTANCE TO SOLDER HEAT: 260°C FOR 10 SECONDS
5. INDUCTANCE TESTED AT 100 kHz, 0.1 Vrms



RENCO ELECTRONICS INC.

595 International Place, Rockledge, FL 32955-4200 USA • www.rencousa.com • ISO 9001 Certified
Toll Free Engineering Hot Line: 800.645.5828 • P: 321.637.1000 • F: 321.637.1600

