



# RL-3340

## SMD POWER INDUCTORS

### DESCRIPTION

- SMD Power Inductor

### ENVIRONMENTAL DATA

- Storage temperature range: -55°C to +130°C
- Operating temperature range: -40°C to +130°C

### PACKAGING INFORMATION

- Packaging information: pg. 489

### FEATURES & APPLICATIONS

- Surface mount power inductors in a small 0.510" X 0.730" package and exceptionally low DC resistance
- Designed with a flat top for reliable pick and place operations
- Available in 13 values with inductance ratings from 1.0  $\mu$ H to 1.0 mH and currents up to 3.5 A

Verify operation with sample in actual circuit. Order samples at [www.rencousa.com](http://www.rencousa.com).

### MECHANICAL DIMENSIONS

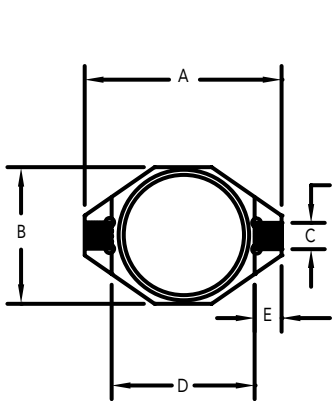
U.S. Standard (mm)

PART NUMBER	A (MAX.)	B (MAX.)	C	D	E	F
RL-3340	0.510 (12.95)	0.370 (9.40)	0.100 (2.54)	0.300 (7.62)	0.100 (2.54)	0.330 (8.38)

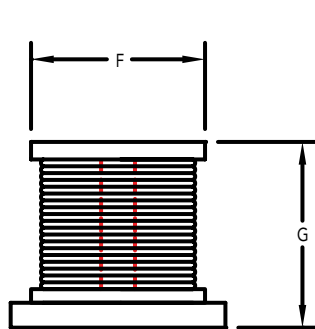
PART NUMBER	PART WEIGHT
RL-3340	2.4g (0.085oz)

G (MAX.)	H (REF.)	I (REF.)	J (REF.)
0.450 (11.43)	0.290 (7.37)	0.115 (2.92)	0.110 (2.79)

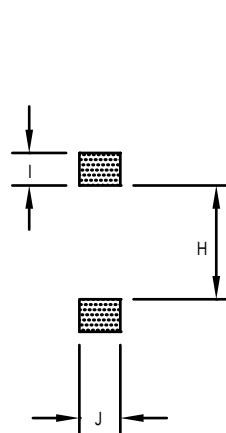
TOP VIEW



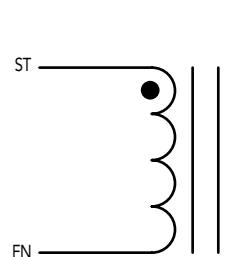
SIDE VIEW



RECOMMENDED LAND PATTERN



SCHEMATIC



**RENCO ELECTRONICS INC.**

595 International Place, Rockledge, FL 32955-4200 USA • [www.rencousa.com](http://www.rencousa.com) • ISO 9001 Certified  
Toll Free Engineering Hot Line: 800.645.5828 • P: 321.637.1000 • F: 321.637.1600



# RL-3340

Renco Part No. RL-3340	Inductance ( $\mu$ H)	DCR Max. (Ohms)	Isat (A)	Irms (A)	SRF Typ. (MHz)
RL-3340-10	10.0	0.040	8.0	3.5	22.0
RL-3340-15	15.0	0.050	7.0	3.0	18.0
RL-3340-22	22.0	0.066	5.5	2.5	11.0
RL-3340-33	33.0	0.080	4.0	2.0	9.0
RL-3340-47	47.0	0.110	3.8	1.6	8.0
RL-3340-68	68.0	0.170	3.0	1.2	7.0
RL-3340-100	100.0	0.220	2.5	1.2	5.0
RL-3340-150	150.0	0.340	2.0	0.9	4.0
RL-3340-220	220.0	0.440	1.6	0.7	3.5
RL-3340-330	330.0	0.700	1.2	0.6	2.5
RL-3340-470	470.0	0.950	1.0	0.3	2.0
RL-3340-680	680.0	1.200	1.0	0.2	2.0
RL-3340-1000	1000.0	2.000	0.8	0.1	1.5

#### NOTES:

1. INDUCTANCE VALUES  $\pm$  20% TESTED AT 100 kHz, 0.1 Vrms
2. Isat - DC CURRENT THAT WILL CAUSE INDUCTANCE TO DROP BY 10%
3. Irms - CURRENT THAT CAUSES THE TEMPERATURE TO RISE APPROX. 40°C ABOVE AMBIENT OF 25°C
4. L DROP = 10% TYP.
5. ELECTRICAL SPECIFICATIONS MEASURED AT 25°C

