

RL-3316

SMD POWER INDUCTORS

DESCRIPTION

- SMD Power Inductor

ENVIRONMENTAL DATA

- Storage temperature range: -55°C to +130°C
- Operating temperature range: -40°C to +130°C

PACKAGING INFORMATION

- Packaging information: pg. 489

FEATURES & APPLICATIONS

- Extremely small flat top package
- Footprint of 0.370" X 0.510" and are low cost with high energy storage
- Available in 19 values with inductance ratings from 1.0 μ H to 1.0 mH and currents up to 6.8 A

Verify operation with sample in actual circuit. Order samples at www.rencousa.com.

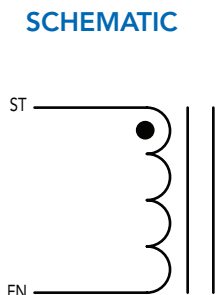
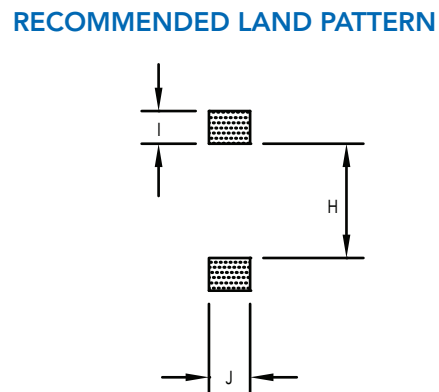
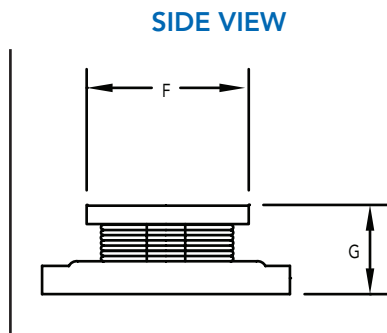
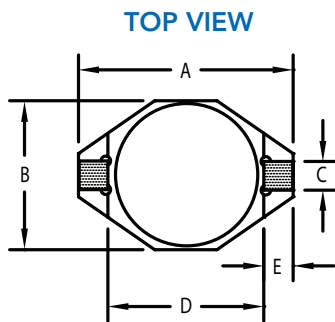
MECHANICAL DIMENSIONS

U.S. Standard (mm)

PART NUMBER	A (MAX.)	B (MAX.)	C	D	E	F
RL-3316	0.510 (12.95)	0.400 (10.16)	0.100 (2.54)	0.300 (7.62)	0.100 (2.54)	0.345 (8.76)

PART NUMBER	PART WEIGHT
RL-3316	1.0g (0.035oz)

G (MAX.)	H (REF.)	I (REF.)	J (REF.)
0.205 (5.21)	0.290 (7.37)	0.115 (2.92)	0.110 (2.79)



RENCO ELECTRONICS INC.

595 International Place, Rockledge, FL 32955-4200 USA • www.rencousa.com • ISO 9001 Certified
Toll Free Engineering Hot Line: 800.645.5828 • P: 321.637.1000 • F: 321.637.1600



RL-3316

Renco Part No. RL-3316	Inductance (μ H)	DCR Max. (Ohms)	Isat (A)	Irms (A)	SRF Typ. (MHz)
RL-3316-1.0	1.0	0.009	9.0	6.8	100.0
RL-3316-1.5	1.5	0.010	8.0	6.4	90.0
RL-3316-2.2	2.2	0.012	7.0	6.1	80.0
RL-3316-3.3	3.3	0.015	6.4	5.4	65.0
RL-3316-4.7	4.7	0.018	5.4	4.8	45.0
RL-3316-6.8	6.8	0.027	4.6	4.4	38.0
RL-3316-10	10.0	0.038	3.8	3.9	30.0
RL-3316-15	15.0	0.046	3.0	3.1	27.0
RL-3316-22	22.0	0.085	2.6	2.7	19.0
RL-3316-33	33.0	0.100	2.0	2.1	15.0
RL-3316-47	47.0	0.140	1.6	1.8	12.0
RL-3316-68	68.0	0.200	1.4	1.5	10.0
RL-3316-100	100.0	0.280	1.2	1.3	9.0
RL-3316-150	150.0	0.400	1.0	1.0	6.0
RL-3316-220	220.0	0.610	0.8	0.8	5.0
RL-3316-330	330.0	1.020	0.6	0.6	4.5
RL-3316-470	470.0	1.270	0.5	0.5	3.5
RL-3316-680	680.0	2.020	0.4	0.4	2.5
RL-3316-1000	1000.0	3.000	0.3	0.3	2.0

NOTES:

1. INDUCTANCE VALUES \pm 20% TESTED AT 100 kHz, 0.1 Vrms
2. Isat - DC CURRENT THAT WILL CAUSE INDUCTANCE TO DROP BY 10%
3. Irms - CURRENT THAT CAUSES THE TEMPERATURE TO RISE APPROX. 40°C ABOVE AMBIENT OF 25°C
4. ELECTRICAL SPECIFICATIONS MEASURED AT 25°C

