

RL-2220

PCB MOUNT TRANSFORMERS

DESCRIPTION

- PCB Mount Linear Transformers
- Single Primary Version of RLD-2220

ENVIRONMENTAL DATA

- Storage temperature range: -55°C to +130°C
- Operating temperature range: -40°C to +130°C

PACKAGING INFORMATION

- Packaging information: pg. 508

FEATURES & APPLICATIONS

- This series of PCB mount low power is designed to operate between 50 and 500 Hz without any loss of output voltage
- These transformers are available in ratings of 1.0 VA, 1.2 VA, 4.4 VA, 10.0 VA and 24.0 VA
- Single or dual primaries (RLD-2220) and input range of (115 V or 115/230 V)
- Secondaries in series or parallel
- Hipot tested at 1500 VRMS
- Manufactured to class B insulation (130°C)

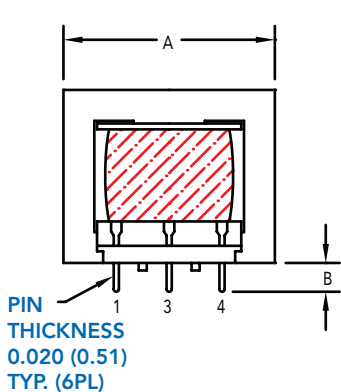
Verify operation with sample in actual circuit. Order samples at www.rencousa.com.

MECHANICAL DIMENSIONS

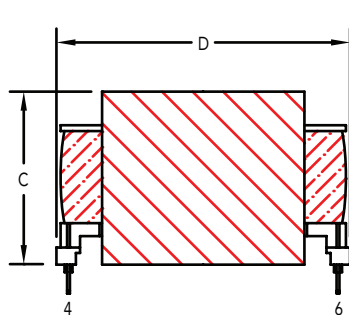
U.S. Standard (mm)

PART NUMBER	A (MAX.)	B (MIN.)	C (MAX.)	D (MAX.)	E (TYP.)	F (TYP.)	G (TYP.)
RL-2220-1.0	1.06 (26.9)	0.177 (4.50)	0.89 (22.6)	1.46 (37.1)	0.047 (1.20)	1.20 (30.5)	0.256 (6.50)
RL-2220-1.2	1.48 (37.6)	0.118 (3.00)	1.26 (32.0)	1.22 (31.0)	0.035 (0.90)	1.00 (25.4)	0.307 (7.80)
RL-2220-4.4	1.69 (42.9)	0.118 (3.00)	1.46 (37.1)	1.30 (33.0)	0.035 (0.90)	1.09 (27.7)	0.402 (10.20)
RL-2220-10	1.97 (50.0)	0.118 (3.00)	1.71 (43.4)	1.50 (38.1)	0.039 (1.00)	1.29 (32.8)	0.402 (10.20)
RL-2220-24	1.69 (42.9)	0.114 (2.90)	1.46 (37.1)	2.32 (58.9)	0.039 (1.00)	2.09 (53.1)	0.402 (10.20)

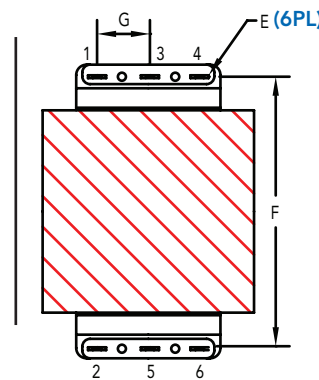
FRONT VIEW



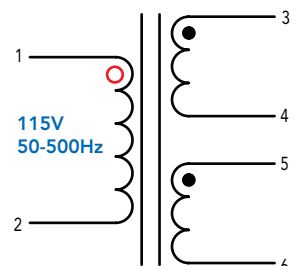
SIDE VIEW



BOTTOM VIEW



SCHEMATIC



AN OPTIONAL "SLIDE ON" MOUNTING BRACKET IS AVAILABLE FOR SIZES 10 & 24. THE BRACKETS DO NOT USE UP ANY EXTRA "PCB SPACE" BUT ADD 1/32" TO THE HEIGHT OF THE TRANSFORMER



RENCO ELECTRONICS INC.



595 International Place, Rockledge, FL 32955-4200 USA • www.rencousa.com • ISO 9001 Certified
 engineering@rencousa.com • P: 321.637.1000 • F: 321.637.1600

RL-2220

PRIMARY 50/500 Hz Single 115V (6 Pin)	VA (Size)	SECONDARY RMS RATING	
		Series	Parallel
RL-2220-10-90	1.0	10VCT @ 90 mA	5V @ 180 mA
RL-2220-10-120	1.2	10VCT @ 120 mA	5V @ 240 mA
RL-2220-10-440	4.4	10VCT @ 440 mA	5V @ 880 mA
RL-2220-10-1000	10	10VCT @ 1.0 A	5V @ 2.0 A
RL-2220-10-2400	24	10VCT @ 2.4 A	5V @ 4.8 A
RL-2220-12-70	1.0	12.6VCT@ 70 mA	6.3V @ 140 mA
RL-2220-12-100	1.2	12.6VCT@ 100 mA	6.3V @ 200 mA
RL-2220-12-350	4.4	12.6VCT @350 mA	6.3V @ 700 mA
RL-2220-12-800	10	12.6VCT @ 800 mA	6.3V @ 1.6 A
RL-2220-12-2000	24	12.6VCT @ 2.0 A	6.3V @ 4.0 A
RL-2220-16-55	1.0	16VCT @ 55 mA	8V @ 110 mA
RL-2220-16-75	1.2	16VCT @ 75 mA	8V @ 150 mA
RL-2220-16-260	4.4	16VCT @ 260 mA	8V @ 520 mA
RL-2220-16-640	10	16VCT @ 640 mA	8V @ 1.28 A
RL-2220-16-1500	24	16VCT @ 1.50 A	8V @ 3.0 A
RL-2220-20-45	1.0	20VCT @ 45 mA	10V @ 90 mA
RL-2220-20-60	1.2	20VCT @ 60mA	10V @ 120 mA
RL-2220-20-220	4.4	20VCT @ 220mA	10V @ 440 mA
RL-2220-20-500	10	20VCT @ 500mA	10V @ 1.0 A
RL-2220-20-1200	24	20VCT @ 1.20A	10V @ 2.40 A
RL-2220-24-35	1.0	24VCT @ 35 mA	12V @ 70 mA
RL-2220-24-50	1.2	24VCT @ 50 mA	12V @ 100 mA
RL-2220-24-180	4.4	24VCT @ 180 mA	12V @ 360 mA
RL-2220-24-450	10	24VCT @ 450 mA	12V @ 900 mA
RL-2220-24-1000	24	24VCT @ 1.0 A	12V @ 2.0 A
RL-2220-28-30	1.0	28VCT @ 30 mA	14V @ 60 mA
RL-2220-28-40	1.2	28VCT @ 40 mA	14V @ 80 mA
RL-2220-28-160	4.4	28VCT @ 160 mA	14V @ 320 mA
RL-2220-28-360	10	28VCT @ 360 mA	14V @ 720 mA
RL-2220-28-800	24	28VCT @ 800 mA	14V @ 1.6 A
RL-2220-34-25	1.0	34VCT @25 mA	17V @ 50 mA
RL-2220-34-35	1.2	34VCT @ 35 mA	17V @ 70 mA
RL-2220-34-125	4.4	34VCT @ 125 mA	17V @ 250 mA
RL-2220-34-300	10	34VCT @ 300 mA	17V @ 600 mA
RL-2220-34-700	24	34VCT @ 700 mA	17V @ 1.4 A
RL-2220-40-20	1.0	40VCT @ 20 mA	20V @ 40 mA
RL-2220-40-30	1.2	40VCT @ 30 mA	20V @ 60 mA
RL-2220-40-110	4.4	40VCT @ 110 mA	20V @ 220 mA
RL-2220-40-250	10	40VCT @ 250 mA	20V @ 500 mA
RL-2220-40-600	24	40VCT @ 600 mA	20V @ 1.20 A

RL-2220 TABLE CONTINUES ON FOLLOWING PAGE

NOTES:
1. ELECTRICAL SPECIFICATIONS MEASURED AT 25°C



RENCO ELECTRONICS INC.

595 International Place, Rockledge, FL 32955-4200 USA • www.rencousa.com • ISO 9001 Certified
engineering@rencousa.com • P: 321.637.1000 • F: 321.637.1600



RL-2220

PRIMARY 50/500 Hz Single 115V (6Pin)	VA (Size)	SECONDARY RMS RATING	
		Series	Parallel
RL-2220-56-15	1	56VCT @ 15 mA	28V @ 30 mA
RL-2220-56-20	1.2	56VCT @ 20 mA	28V @ 40 mA
RL-2220-56-80	4.4	56VCT @ 80 mA	28V @ 160 mA
RL-2220-56-180	10	56VCT @ 180 mA	28V @ 360 mA
RL-2220-56-420	24	56VCT @ 420 mA	28V @ 840 mA
RL-2220-120-8	1	120VCT @ 8 mA	60V @ 16 mA
RL-2220-120-10	1.2	120VCT @ 10 mA	60V @ 20 mA
RL-2220-120-35	4.4	120VCT @ 35 mA	60V @ 70 mA
RL-2220-120-85	10	120VCT @ 85 mA	60V @ 170 mA
RL-2220-120-200	24	120VCT @ 200 mA	60V @ 400 mA

NOTES:

1. ELECTRICAL SPECIFICATIONS MEASURED AT 25°C

PART NUMBER	PART WEIGHT
RL-2220-1.0	65.0g (2.29oz)
RL-2220-1.2	84.0g (2.96oz)
RL-2220-4.4	146.0g (5.15oz)
RL-2220-10	254.0g (8.96oz)
RL-2220-24	374.0g (13.19oz)



RESCO ELECTRONICS INC.

595 International Place, Rockledge, FL 32955-4200 USA • www.rencousa.com • ISO 9001 Certified
engineering@rencousa.com • P: 321.637.1000 • F: 321.637.1600

