

RL-1281

BAR CHOKES

DESCRIPTION

- Bar Choke

ENVIRONMENTAL DATA

- Storage temperature range: -55°C to +130°C
- Operating temperature range: -40°C to +130°C

PACKAGING INFORMATION

- Packaging information: pg. 493

FEATURES & APPLICATIONS

- Uses Ferrite cores and offers a wide range of inductance values
- Compact size and pre-tinned leads make them easy to use in printed circuit boards
- Typical applications include: SCR and TRIAC control circuits, filters for switching regulators, RF circuits, audio filters, hash filters, and power supplies

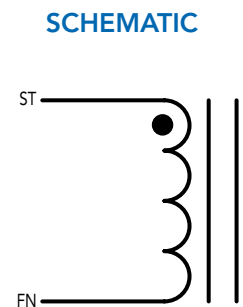
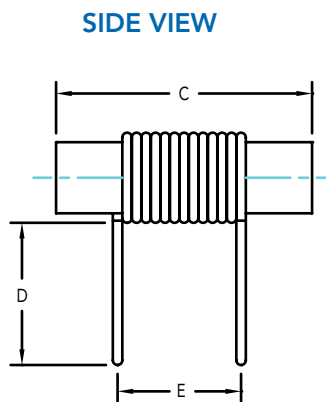
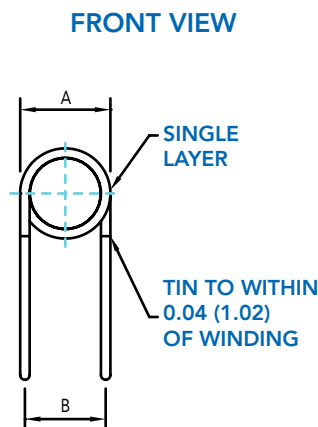
Verify operation with sample in actual circuit. Order samples at www.rencousa.com.

MECHANICAL DIMENSIONS

U.S. Standard (mm)

PART NUMBER	A (MAX.)	B (TYP.)	C (MAX.)	D (TYP.)	PART WEIGHT
RL-1281	0.35 (8.89)	0.29 (7.36)	1.00 (25.40)	0.50 (12.70)	6.0g (0.21oz)

FOR "E" DIMENSIONS SEE TABLE



RENCO ELECTRONICS INC.

595 International Place, Rockledge, FL 32955-4200 USA • www.rencousa.com • ISO 9001 Certified
Toll Free Engineering Hot Line: 800.645.5828 • P: 321.637.1000 • F: 321.637.1600



RL-1281

Renco Part No. RL-1281 CURRENT: 4 AMPS	Inductance (μ H)	DCR Max. (Ohms)	Dimension "E" (mm)
RL-1281-22	0.22	0.003	0.125 (3.175)
RL-1281-47	0.47	0.004	0.125 (3.175)
RL-1281-68	0.68	0.005	0.187 (4.750)
RL-1281-100	1.00	0.006	0.187 (4.750)
RL-1281-150	1.50	0.007	0.250 (6.350)
RL-1281-200	2.00	0.008	0.312 (7.925)
RL-1281-250	2.50	0.009	0.312 (7.925)
RL-1281-300	3.00	0.010	0.375 (9.525)
RL-1281-350	3.50	0.011	0.375 (9.525)
RL-1281-400	4.00	0.012	0.500 (12.700)
RL-1281-470	4.70	0.013	0.500 (12.700)
RL-1281-550	5.50	0.014	0.562 (14.275)
RL-1281-600	6.00	0.015	0.562 (14.275)
RL-1281-675	6.75	0.016	0.625 (15.875)
RL-1281-750	7.50	0.017	0.625 (15.875)
RL-1281-800	8.00	0.018	0.687 (17.450)
RL-1281-880	8.80	0.019	0.687 (17.450)
RL-1281-950	9.50	0.020	0.750 (19.050)
RL-1281-1000	10.00	0.021	0.750 (19.050)
RL-1281-1080	10.80	0.022	0.812 (20.625)
RL-1281-1150	11.50	0.023	0.812 (20.625)
RL-1281-1200	12.00	0.024	0.875 (22.225)
RL-1281-1250	12.50	0.025	0.875 (22.225)

NOTES:

1. INDUCTANCE \pm 15% TESTED AT 10 kHz , 0.1 Vrms
2. ELECTRICAL SPECIFICATIONS MEASURED AT 25°C
3. I_{rms} - CURRENT THAT CAUSES THE TEMPERATURE TO RISE APPROX. 40°C ABOVE AMBIENT OF 25°C



RENCO ELECTRONICS INC.

595 International Place, Rockledge, FL 32955-4200 USA • www.rencousa.com • ISO 9001 Certified
Toll Free Engineering Hot Line: 800.645.5828 • P: 321.637.1000 • F: 321.637.1600

