

# RL-1160

## MINI-INDUCTORS

### DESCRIPTION

- Mini-Inductors

### ENVIRONMENTAL DATA

- Storage temperature range: -55°C to +130°C
- Operating temperature range: -40°C to +130°C

### PACKAGING INFORMATION

- Packaging information: pg. 489

### FEATURES & APPLICATIONS

- Unique flat coil configuration that makes it ideally suited for use in high density printed circuit board assemblies
- Twice the inductance is obtainable
- Wide range of inductance values so they can effectively be used at radio, as well as audio frequencies

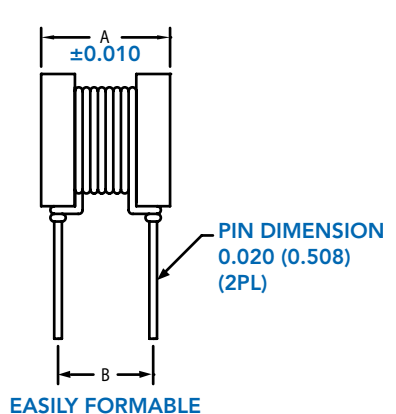
Verify operation with sample in actual circuit. Order samples at [www.rencousa.com](http://www.rencousa.com).

### MECHANICAL DIMENSIONS

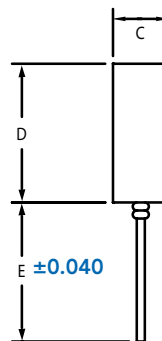
U.S. Standard (mm)

PART NUMBER	A ± 0.010 (0.254)	B	C (MAX.)	D (MAX.)	E ± 0.040 (1.02)	PART WEIGHT
RL-1160	0.375 (9.53)	0.300 (7.62)	0.150 (3.81)	0.300 (7.62)	0.375 (9.53)	0.50g (0.018oz)

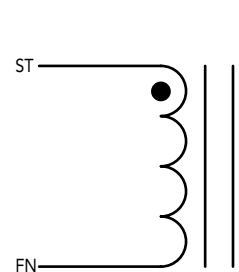
FRONT VIEW



SIDE VIEW



SCHEMATIC



**RENCO ELECTRONICS INC.**

595 International Place, Rockledge, FL 32955-4200 USA • [www.rencousa.com](http://www.rencousa.com) • ISO 9001 Certified  
Toll Free Engineering Hot Line: 800.645.5828 • P: 321.637.1000 • F: 321.637.1600



# RL-1160

Renco Part No. RL-1160	Inductance ( $\mu$ H)	DCR Max. (Ohms)	Isat (A)	Irms (A)
RL-1160-1.0	1.0	0.010	7.00	2.250
RL-1160-1.2	1.2	0.012	6.00	1.780
RL-1160-1.5	1.5	0.014	5.00	1.420
RL-1160-1.8	1.8	0.020	4.80	1.120
RL-1160-2.2	2.2	0.025	4.40	0.880
RL-1160-2.7	2.7	0.028	4.00	0.880
RL-1160-3.3	3.3	0.036	3.70	0.700
RL-1160-3.9	3.9	0.050	3.40	0.550
RL-1160-4.7	4.7	0.053	3.20	0.550
RL-1160-5.6	5.6	0.092	2.80	0.350
RL-1160-6.8	6.8	0.113	2.60	0.350
RL-1160-8.2	8.2	0.116	2.20	0.350
RL-1160-10	10.0	0.120	2.10	0.350
RL-1160-12	12.0	0.140	2.00	0.350
RL-1160-15	15.0	0.158	1.60	0.350
RL-1160-18	18.0	0.180	1.50	0.350
RL-1160-22	22.0	0.230	1.40	0.280
RL-1160-27	27.0	0.265	1.30	0.280
RL-1160-33	33.0	0.346	1.20	0.220
RL-1160-39	39.0	0.371	1.10	0.220
RL-1160-47	47.0	0.502	1.03	0.175
RL-1160-56	56.0	0.687	0.95	0.136
RL-1160-68	68.0	0.888	0.90	0.108
RL-1160-82	82.0	1.196	0.85	0.087
RL-1160-100	100.0	1.495	0.80	0.087
RL-1160-120	120.0	1.725	0.65	0.087
RL-1160-150	150.0	1.955	0.60	0.087
RL-1160-180	180.0	2.070	0.56	0.087
RL-1160-220	220.0	2.185	0.49	0.087
RL-1160-270	270.0	2.530	0.45	0.087
RL-1160-330	330.0	3.335	0.41	0.070
RL-1160-390	390.0	3.450	0.39	0.070
RL-1160-470	470.0	5.290	0.35	0.056
RL-1160-560	560.0	5.405	0.32	0.056
RL-1160-680	680.0	5.930	0.29	0.056

Renco Part No. RL-1160	Inductance ( $\mu$ H)	DCR Max. (Ohms)	Isat (A)	Irms (A)
RL-1160-820	820.0	6.325	0.27	0.056
RL-1160-1000	1000.0	7.130	0.25	0.056
RL-1160-1200	1200.0	10.005	0.21	0.042
RL-1160-1500	1500.0	14.260	0.19	0.033
RL-1160-1800	1800.0	15.765	0.17	0.033
RL-1160-2200	2200.0	17.595	0.15	0.033
RL-1160-2700	2700.0	19.320	0.14	0.033
RL-1160-3300	3300.0	21.735	0.13	0.033
RL-1160-3900	3900.0	26.000	0.12	0.027
RL-1160-4700	4700.0	29.900	0.11	0.027

## NOTES:

1. INDUCTANCE  $\pm 10\%$  TESTED AT 10kHz, 1.0 Vrms, VALUES BELOW 10 $\mu$ H ARE  $\pm 20\%$
2. Isat - DC CURRENT THAT WILL CAUSE INDUCTANCE TO DROP BY 5%
3. Irms - CURRENT THAT CAUSES THE TEMPERATURE TO RISE APPROX. 40°C ABOVE AMBIENT OF 25°C
4. ELECTRICAL SPECIFICATIONS MEASURED AT 25°C
5. HEIGHT DIMENSION SHOWN WITHOUT SOLDER JOINT OR COATINGS
6. NONSTANDARD VALUES AVAILABLE UPON REQUEST
7. ENCAPSULATION AVAILABLE

